

# FUEL LEVEL — INSTRUCTIONS

Actron fuel level gauges accurately measure the depth, not the amount, of fuel left in the fuel tank. Because of the variety of fuel tank shapes, a universal gauge such as this Actron gauge cannot accurately compensate for the different rates that the fuel drops at various tank depths. This Actron Fuel Level Sender's instructions include adjustment procedures that are

required to complete the installation.

## PRECAUTIONS

1. The sender is not designed as a direct replacement for factory senders. Installation may require fabrication.
2. Because of the danger of working around gasoline, it is suggested you observe the following:

A.) All safety precautions in the front of this instruction booklet, including the fire extinguisher availability and battery ground cable removal.

B.) Drain fuel from the fuel tank into a safe, vented container and remove the fuel tank from the vehicle if any modifications to the tank are necessary. Fill the tank with water to displace fuel vapors.

3. The fuel level gauge and sender require the best ground connections available for an accurate reading.

## INSTALLATION

1. Read the Fuel Level Sender's instructions and follow them for installation of the sender.
2. Route a length of 18-gauge insulated copper wire from the gauge's mounting location to the connection on top of the sender and connect the wire to the gauge's sender.
3. Facing the back of the gauge, the connection post on the right is for the +12-volts power, the center post is for the ground connection and the left post is for the sender connection. After you have mounted the gauge, connect the sender wire to the left connection post. Attach the wire as shown in Diagram 7, page 7. Do not over tighten.
4. Connect another length of 18-gauge insulated copper wire to the center

connection post as shown in Diagram 7, page 7, and the other end of the wire to a good ground source. Scrape away paint or dirt from the surface of the ground connection.

5. Connect a third length of 18-gauge insulated copper wire to the right connection post as shown in Diagram 7, page 7, and the other end of the wire should be connected to the fuse box where the wire will receive +12 volts of power whenever the ignition key is in a START, ON or ACCESSORY position.
6. Double-check that the wire connections are located and attached properly and then reconnect the battery ground cable.
7. Refill the fuel tank, observing the gauge for proper operation as you do. Be sure that all water has been removed and the tank thoroughly dried before refilling.

## TROUBLESHOOTING

If the gauge indicates too low a fuel level compared to the actual level, recheck all connections for poor contact, particularly the ground connections, as this will cause increased electrical resistance and false low readings.

If the gauge does not indicate full or empty at the proper fuel levels, recheck your adjustments to the sender so you are sure that it is getting full travel of the float arm.

# INSTALLATION INSTRUCTIONS

## GENERAL MOUNTING INSTRUCTIONS INSTRUCCIONES GENERALES DE MONTAJE TENSIÓN 12 V INSTRUCCIONES GÉNERALES DE MONTAJE

The manufacturer produces a full line of gauges with many different styles.

1-1/2" Gauges

2" Gauges

2-5/8" Gauges

(See page 2 for hole sizes.)

Gauges allow you to monitor the condition of your vehicle and tell how well it is performing. If there are any problems, you can detect them immediately before they become severe. Warning lights only tell you when the problem already requires immediate attention. You will find that the addition of these gauges will add to your peace of mind and driving comfort.

## MICROPROCESSOR-CONTROLLED ENGINES

Many newer vehicles employ microprocessors that control most of the engine and electrical functions. Microprocessors are very sensitive electrical components. Before installing any aftermarket equipment consult the vehicle's manufacturer or shop manual to make certain that no damage will result.

Some of these newer vehicles use electric cooling fans or microprocessor engine controls that depend on readings from the original equipment

sending units for correct operation. If your vehicle is one of these you CANNOT replace the sender(s) with any other. You can add an additional oil pressure sender with a "Tee Adapter Kit," but the only possible way to install a non OEM water temperature sender is to install the new sender in a different location, retaining the OEM unit in its original location. Check with the vehicle's manufacturer or dealer to see if this is possible.

## INSTALLATION & SAFETY PRECAUTIONS

1. Read the entire instructions for your gauge before proceeding.
2. Be sure the gauge is suitable for your vehicle:
  - Does the gauge's range cover the vehicle's operating range?
  - Will the tubing of the mechanical gauges reach from the engine connection point to the gauge (temperature gauges cannot be lengthened)?
  - Is the vehicle's electrical system 12 volt and negatively grounded?
3. It is recommended that the battery ground cable be disconnected before any electrical work is performed, especially when installing Ammeters or Voltmeters.
4. Route all wiring and gauge tubing away from linkages, high heat or moving parts.
5. Never smoke while working on your vehicle and always keep a fire extinguisher nearby. It should be rated for gas/chemical/electrical fires.
6. Never lay tools on top of the battery or wear jewelry during electrical work to avoid severe electrical shorts.

## GAUGE MOUNTING

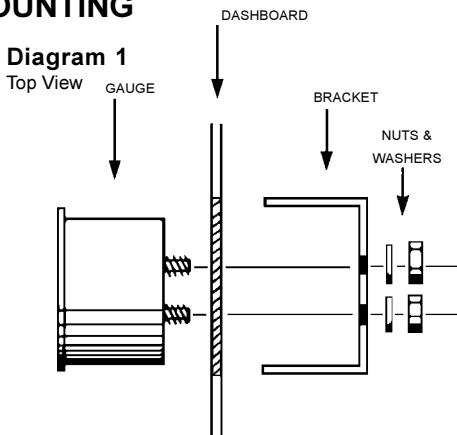
All gauges can be mounted into a surface of your choice or into a panel. Single, dual & triple gauge mounting panels are produced for all size gauges. Some panels are in black or chrome finishes. A fully chromed mounting cup is available for the 2-5/8" gauges.

1. Choose a location to mount the gauge where it will be viewable from a normal driving position (fuel pressure gauges should never be mounted within the interior of the vehicle).
2. If you are using a mounting panel, mount it at the chosen location with the screws provided.

If you are creating a hole, use the following sizes:

<u>Gauge Style</u>	<u>Hole Size</u>
1-1/2"	1-5/8" (41 mm)
2"	2-1/16" (53 mm)
2-5/8"	2-5/8" (67 mm)

PARA NOMBRE, DOMICILIO Y TELEFONO DE IMPORTADOR: VER EMPAQUE.

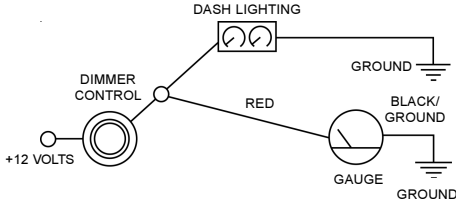


### 3. Dimmer Control.

For dash lighting dimmers that control the positive side (Diagram 2A) of the lighting circuit:

#### Diagram 2A

For Positive Dimmer Controls



#### - For Two-wire Bulb Holder -

Connect the red wire into the circuit between the dimmer control and the dash lights. Connect the black wire to a good electrical ground.

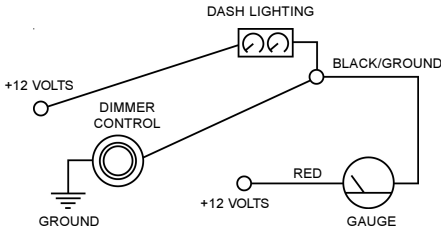
#### - For One-wire Bulb Holder -

Connect the one wire into the circuit between the dimmer control and the dash lights. Obtain a length of 18-gauge insulated copper wire and connect one end of the wire to a good electrical ground source and the other end to one of the mounting bracket posts.

For dash lighting dimmers that control the grounded side (Diagram 2B) of the lighting circuit:

#### Diagram 2B

For Ground Dimmer Controls



#### - For Two-wire Bulb Holder -

Connect the black wire into the circuit between the dimmer control and the dash lights. Connect the red wire to the fuse box so that the wire only receives +12-volt power when the dash lights are turned on.

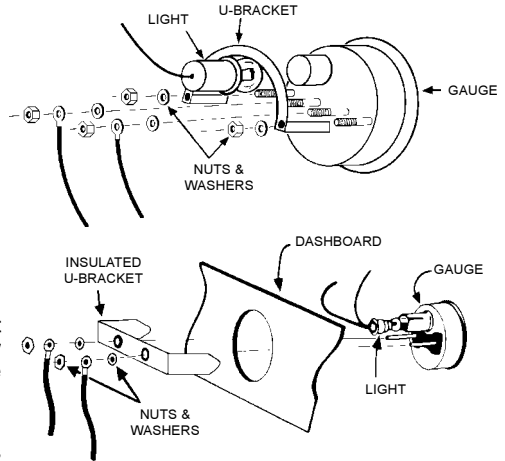
#### - For One-wire Bulb Holder -

Connect the wire to the fuse box so it receives only +12-volt power when the dash lights are on. Obtain a length of 18-gauge insulated copper wire and connect one end to the gauge mounting bracket or panel. Connect the other end of the wire into the circuit between the dimmer control and the dash lights. **Insulate the gauge and bracket from grounded surfaces.**

4. Refer to specific instructions for the gauge you are installing. They explain other connections that should be made before mounting is completed.
5. Insert the gauge into the mounting panel or hole.
6. Insert the bulb holder into the bulb socket on the back of the gauge.
7. Install the appropriate mounting bracket (Diagram 1: insulated or non-insulated) over the mounting posts (Diagram 3), slide on washer, plus a lock washer if supplied, and tighten the nut with only light pressure. If the gauge is an electrical model, be sure you use a bracket that has grommets to insulate the posts from the mounting bracket. This does not apply to gauges using separate bracket mounting posts from the posts used for wire connections.
8. Position the gauge for best visibility and appearance, then tighten the bracket nuts with moderate pressure. Do not over-tighten these nuts when using an insulated bracket. Excess pressure can distort the grommets causing them to crack and short the wiring, even months after installation.
9. Refer to the specific instructions for the gauge you are now installing to complete any other connections.

#### Diagram 3

Electrical Gauges Shown



## FULL ONE (1) YEAR WARRANTY

Actron Manufacturing Company, 15825 Industrial Parkway, Cleveland, Ohio 44135, warrants to the user that this unit will be free from defects in materials and workmanship for a period of one (1) year from the date of original purchase.

Any unit that fails within this period will be repaired or replaced at Actron's option and without charge when returned to the Factory. Actron requests that a copy of the original, dated sales receipt be returned with the unit to determine if the warranty period is still in effect.

This warranty does not apply to damages caused by accident, alterations, or improper or unreasonable use. Expendable items, such as batteries, fuses, lamp bulbs, flash tubes are also excluded from this warranty.

ACTRON MANUFACTURING COMPANY DISCLAIMS ANY LIABILITY FOR INCIDENTAL OR CONSEQUENTIAL DAMAGES FOR BREACH OF ANY WRITTEN WARRANTY ON THE UNIT. Some states do not allow the disclaimer of liability for incidental or consequential damages, so the above disclaimer may or may not apply to you. This warranty gives specific legal rights, and you may also have rights which vary from state to state.

## GARANTIA COMPLETA POR UN (1) AÑO

Actron Manufacturing Company, 15825 Industrial Parkway, Cleveland, Ohio 44135, garantiza al usuario que esta unidad estará libre de defectos de materiales y mano de obra por un período de un (1) año a partir de la fecha original de compra.

Toda unidad que falle dentro de este período será reparada o reemplazada a la opción de Actron y sin cargo cuando sea devuelta a la fábrica. Actron requiere que se devuelva una copia del recibo original fechado de compra con la unidad, para determinar si el período de garantía está todavía en efecto.

Esta garantía no se aplica a daños causados por accidentes, modificaciones, o uso inadecuado o irrazonable. Los artículos descartables tales como pilas, fusibles, bulbos de lámparas, tubos flash se excluyen también de esta garantía.

ACTRON MANUFACTURING COMPANY NIEGA CUALQUIER RESPONSABILIDAD POR PERJUICIOS INCIDENTALES O CONSECUENTES POR VIOLACION DE CUALQUIER GARANTIA ESCRITA PARA LA UNIDAD. Algunos estados no permiten la negación de responsabilidad por perjuicios incidentales o consecuentes, de manera que la negativa anterior puede o no aplicarse a usted. Esta garantía otorga derechos legales específicos, y usted puede tener también derechos que pueden variar de estado a estado.

NO VALIDA EN MEXICO

## UN (1) AN DE GARANTIE COMPLÈTE

Actron Manufacturing Company, 15825 Industrial Parkway, Cleveland, Ohio 44135, garantit à l'utilisateur que cet appareil sera exempt de tout défaut lié aux matériaux ou à la main d'œuvre pendant une période de un (1) an à compter de la date d'achat d'origine.

Toute unité qui tomberait en panne durant cette période sera réparée ou remplacée, au choix d'Actron, et sans frais si elle a été retournée à l'usine. Actron demande qu'une copie de la facture d'achat d'origine datée soit retournée avec l'appareil pour contrôler que la période de garantie est toujours effective.

Cette garantie ne s'applique pas aux dommages causés par accident, modifications ou utilisation inadéquate ou hors du raisonnable. Les éléments consommables, tels que piles, fusibles, ampoules ou tubes fluorescents sont également exclus de cette garantie.

ACTRON MANUFACTURING COMPANY REJETTE TOUTE RESPONSABILITÉ POUR DOMMAGES ACCESSOIRES OU INDIRECTS POUR MANQUEMENT À N'IMPORTE QUELLE GARANTIE ÉCRITE SUR CETTE UNITÉ. Certains états ne permettent pas le déni de responsabilité pour dommages accessoires ou indirects, cette clause peut donc n'être pas applicable dans votre cas. Cette garantie vous octroie des droits légaux spécifiques, et vous pouvez aussi avoir des droits supplémentaires qui varient d'un état à l'autre.



ACTRON MANUFACTURING CO.  
15825 Industrial Parkway  
Cleveland, Ohio 44135  
1-800-228-7667

© 2004 Actron Manufacturing Co.  
All Rights Reserved  
0002-002-2376